

KPC SERIES

SUBMERSIBLE PUMPS FOR YOUR HOME

The Grundfos KPC Series designed mainly for automatically operated fixed applications in domestic use, draining basements and garages which are subject to flooding. Its compact, easy-to-handle form makes it a portable pump for emergencies such as lifting water from tanks or emptying swimming pools, fountains, excavations and underpasses. They are also ideal for gardening and fish pond.

TECHNICAL DATA

- Pump body, impeller, pressure disc and suction grid in Composite Noryl GFN 2
Stainless steel screws and rotor shaft
- **Performance range:**
From 1 to 17m³/h , with head up to 10 metres
- **Liquid quality requirements**
Grey water without fibres
- **Minimum water depth**
KPC 24/7 210 : 8 mm
KPC 300A : 85 mm
KPC 600A : 175 mm

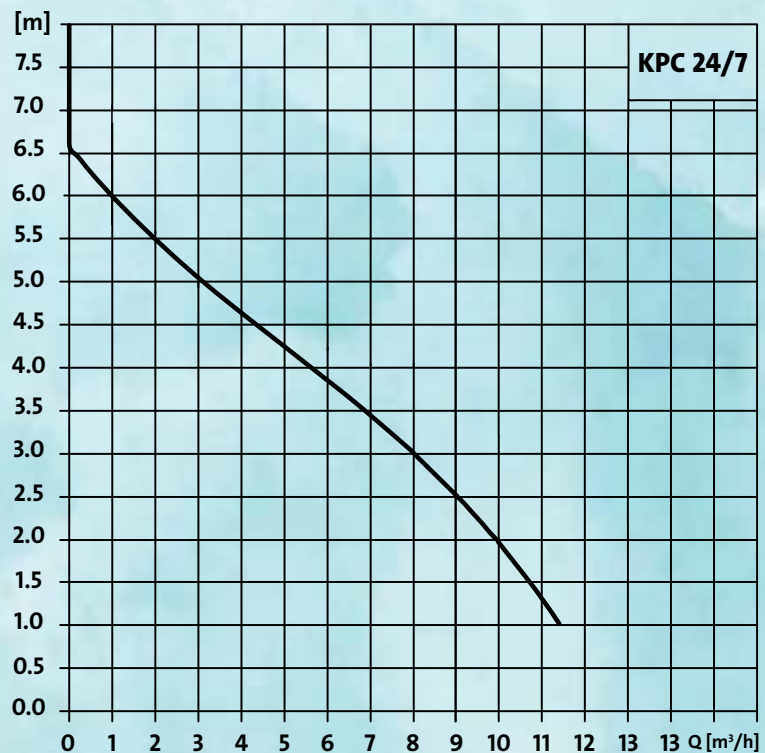
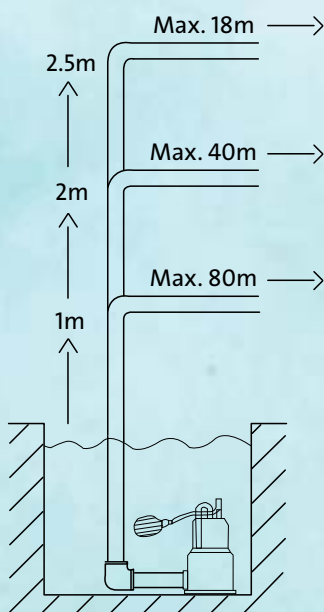


FEATURES

- Compact
- Reliable
- Easy to Install
- Automatic operation

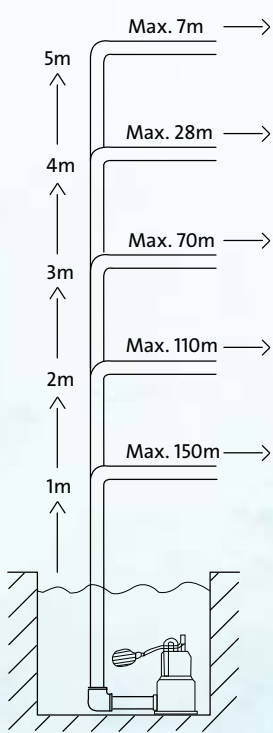
KPC 24/7 210 – Fountain Pump

PERFORMANCE CURVES AND RANGE

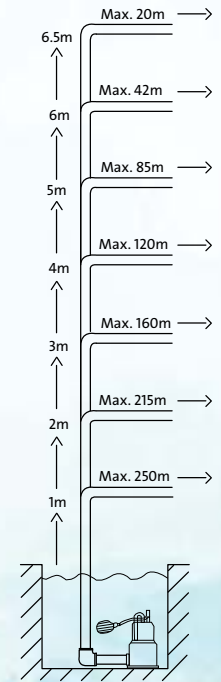
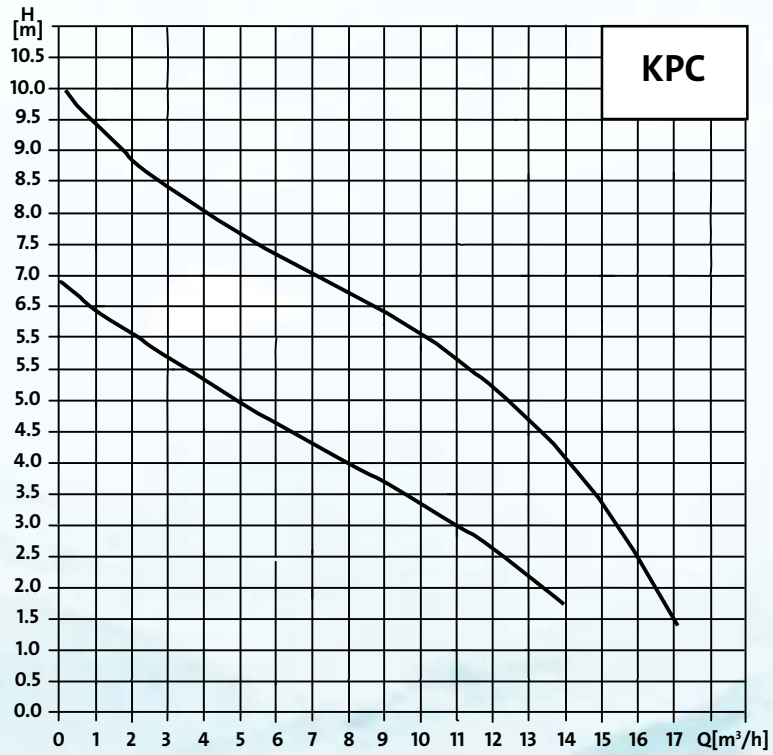


KPC 300A & KPC 600A – Dewatering Pumps

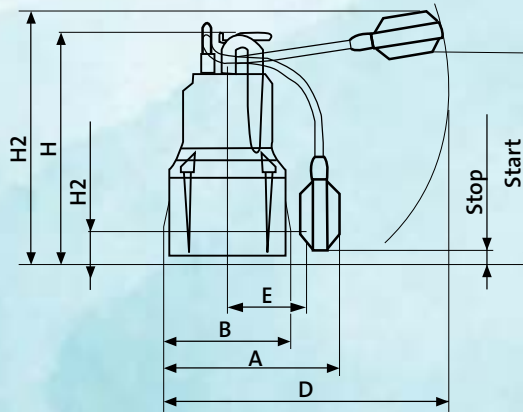
PERFORMANCE CURVES AND RANGE



KPC 300A



KPC 600A



PRODUCT RANGE

Part Code	Model	Voltage (V)	Power		Current I (A)	Dimension										Weight (kg)
			kw P1	Hp		A	B	D	E	H	H1	H2	START	STOP	PIPE SIZE	
98851057	KPC 24/7 210	1 x 220V	0.35	0.47	1.5	-	140	-	82	266	-	38.5	-	-	1"	4.1
98851053	KPC 300 A	1 x 220V	0.35	0.47	1.5	185	140	225	82	275	390	47.5	350	100	1"	4.1
98851054	KPC 600 A	1 x 220V	0.8	1.07	3.4	200	160	225	90	376	490	73	450	200	1 1/4"	6.5